



CMS80F261x Datasheet

Enhanced flash memory 8-bit 1T 8051 microcontrollers

Rev. 1.0.9

Please note the following CMS IP policy

* China Micro Semicon Co., Ltd. (hereinafter referred to as the Company) has applied for patents and holds absolute legal rights and interests. The patent rights associated with the Company's MCUs or other products have not been authorized for use, and any company, organization, or individual who infringes the Company's patent rights through improper means will be subject to all possible legal actions taken by the Company to curb the infringement and to recover any damages suffered by the Company as a result of the infringement or any illegal benefits obtained by the infringer.

* The name and logo of Cmsemicon are registered trademarks of the Company.

* The Company reserves the right to further explain the reliability, functionality and design improvements of the products in the data sheet. However, the Company is not responsible for the use of the Specification Contents. The applications mentioned herein are for illustrative purposes only and the Company does not warrant and does not represent that these applications can be applied without further modification, nor does it recommend that its products be used in places that may cause harm to persons due to malfunction or other reasons. The Company's products are not authorized for use as critical components in lifesaving, life-sustaining devices or systems. The Company reserves the right to modify the products without prior notice. For the latest information, please visit the official website at www.mcu.com.cn.

1. Product Features

1.1 Features List

- ◆ **Fully compatible with standard 8051 instruction set**
 - 48MHz maximum operating frequency
 - Machine cycle maximum 1T_{sys} @ F_{sys}≤24MHz
 - Machine cycle maximum 2T_{sys} @ F_{sys}=48MHz
- ◆ **Memories**
 - Program FLASH: 64K×8Bit
 - Data FLASH: 1K×8Bit
 - IRAM: 256×8Bit
 - XRAM: 4K×8Bit
 - Program FLASH supports partition protection and IAP functions
- ◆ **4 oscillation modes**
 - HSI-Internal high-speed oscillator: 48MHz
 - HSE-External high-speed crystal oscillator: 8MHz/16MHz
 - LSE-External low speed crystal oscillator:32.768KHz
 - LSI-Internal low speed oscillator:125KHz
- ◆ **GPIO**
 - Up to 46 GPIOs
 - All pins support up/down resistor function
 - Interrupts generated on rising, falling, or both edges
 - Support wake up from idle and sleep mode
- ◆ **Interrupts**
 - All external port interrupts
 - 7 timers interrupts
 - Other peripheral interrupts
- ◆ **Timers**
 - WDT (Watchdog timer)
 - Timer0/1, Timer2, Timer3/4
 - LSE Timer (Support wake up)
 - WUT (wake-up timer)
 - BRT/ BRT1 (Baud rate clock generation timer)
- ◆ **Cyclic redundancy check unit**
 - CRC16 (CRC16-CCITT)
- ◆ **Multiplication and division operation unit (MDU)**
 - Support 32bit/16bit, 16bit/16bit, 16bit×16bit
- ◆ **Buzzer Driver**
 - 50% duty, frequency can be set freely
- ◆ **Enhanced PWM**
 - Up to 6 channels
 - Up to 6 independent period counters
 - Independent/complementary/synchronous/group mode
 - Edge alignment / center alignment
 - Dead time delay @complementary mode
- ◆ **Communications**
 - 1xSPI (up to 6Mb/s)
 - 1xI2C (up to 400Kb/s)
 - 4xUART (up to 1Mb/s)
- ◆ **Two-Wire Serial Programming And Debugging**
- ◆ **Operating Voltage**
 - 2.1V~5.5V
- ◆ **Operating Temperature**
 - -40°C~105°C
- ◆ **Low Voltage Reset (LVR)**
 - 1.8V/2.0V/2.5V/3.5V
- ◆ **Low Voltage Detection (LVD)**
 - 16 levels optional from 2.0V to 4.6V
- ◆ **12-bit ADC**
 - Up to 23 AD external channels
 - Reference voltage (1.2V/2.0V/2.4V/3.0V/VDD)
 - Internal 1.2V bandgap as input
 - Hardware trigger conversion
 - Conversion results to digital comparison
- ◆ **Hardware LCD driver**
 - The duty cycle can be selected 1/4, 1/5, 1/6, 1/8
 - Optional LSI/LSE/system clock three clock sources
 - Traditional resistive LCD, optional 1/2, 1/3, 1/4 BIAS
 - Support work in sleep mode
 - Support fast charging mode
 - Support energy-saving mode, the total resistance of voltage divider can be 60K/225K/900K
 - Support up to 4COM x 36SEG, 5COM x 35SEG, 6COM x 34SEG, 8COM x 32SEG
- ◆ **Hardware LED driver**
 - Duty cycle can be selected 1/4, 1/5, 1/6, 1/8
 - Support two modes:
 - Common cathode/common yang
 - Optional LSI/LSE/system clock three clock sources
 - COM, SEG current optional
 - Support up to 4COM x 28SEG、5COM x 27SEG, 6COM x 26SEG、8COM x 24SEG
- ◆ **Two analog comparators (ACMP0/1, offset voltage is less than 1mV)**
 - 5 options for the positive terminal, internal 1.2V/VDD divider for the negative terminal
 - Comparator supports unilateral/bilateral hysteresis
 - The internal 1.2V/VDD divider of the negative terminal can be connected to the internal ADC channel
- ◆ **Two operational amplifiers (OP0/1, offset voltage is less than 1mV)**
 - Three terminals of each op amp are multiplexed with GPIO port
 - The positive end supports internal 1.2V input
 - Support two modes of op amp/comparator
 - The output of the op amp can be connected to the input of the internal analog comparator
- ◆ **Low Power Mode**
 - Idle mode
 - Sleep mode
- ◆ **96 Bits Unique Identifier (UID)**
 - Each chip has an independent Identifier

1.2 Product Comparison

Product		CMS80F2618	CMS80F26182	CMS80F2619	CMS80F261A	CMS80F261B
Peripherals						
Highest frequency		48MHz				
Memories	APROM	64 KB				
	Data FLASH	1 KB				
	RAM	256 B				
	XRAM	4 KB				
Timers	WDT	1				
	Timer0/1	2 (16bit)				
	Timer2	1 (16bit)				
	Timer3/4	2 (16bit)				
	LSE_Timer	1 (16bit)				
	WUT	1 (12bit)				
	BRT/BRT1	2 (16bit)				
Enhanced Digital peripherals	CRC	CRC16-CCITT				
	MDU	32bit/16bit、16bit/16bit、16bit*16bit				
	BUZZER	1				
	PWM	6(16bit)				
Display interface	LCD	4COM x 17SEG 5COM x 16SEG 6COM x 15SEG 8COM x 13SEG	4COM x 16SEG 5COM x 15SEG 6COM x 14SEG 8COM x 12SEG	4COM x 24SEG 5COM x 23SEG 6COM x 22SEG	4COM x 32SEG 5COM x 31SEG 6COM x 30SEG 8COM x 28SEG	4COM x 36SEG 5COM x 35SEG 6COM x 34SEG 8COM x 32SEG
	LED	4COM x 15SEG 5COM x 14SEG 6COM x 13SEG 8COM x 11SEG	4COM x 14SEG 5COM x 13SEG 6COM x 12SEG 8COM x 10SEG	4COM x 17SEG 5COM x 16SEG 6COM x 15SEG	4COM x 28SEG 5COM x 27SEG 6COM x 26SEG 8COM x 24SEG	4COM x 28SEG 5COM x 27SEG 6COM x 26SEG 8COM x 24SEG
Communications	SPI	1				
	I2C	1				
	UART	2	2	3	4	4
Analog	12bit-ADC (external- chs)	14	14	18	23	23
	ACMP	2	14	1	2	2
	OP	0	0	2 ⁽¹⁾	1 ⁽¹⁾	2 ⁽¹⁾
GPIOs		26	26	30	42	46
LVR		1.8V/2.0V/2.5V/3.5V				
LVD		2.0~4.6 V, 16 级				
Operating Voltage		2.1~5.5 V				
Operating temperature		-40~105 °C				
PACKAGE		SOP28	SOP28	LQFP32	LQFP44	LQFP48

Note:

- 1) It indicates the number of analog modules. The analog function is not realized through the input/output of the pins. The input/output pins are subject to the actual product.

2. System overview

2.1 System Introduction

CMS80F261x series is an 8051 core, a 1T instruction system compatible with MCS-51, and a general IO type 8-bit chip. The operating frequency can reach up to 48MHz. The MCU has the following characteristics:

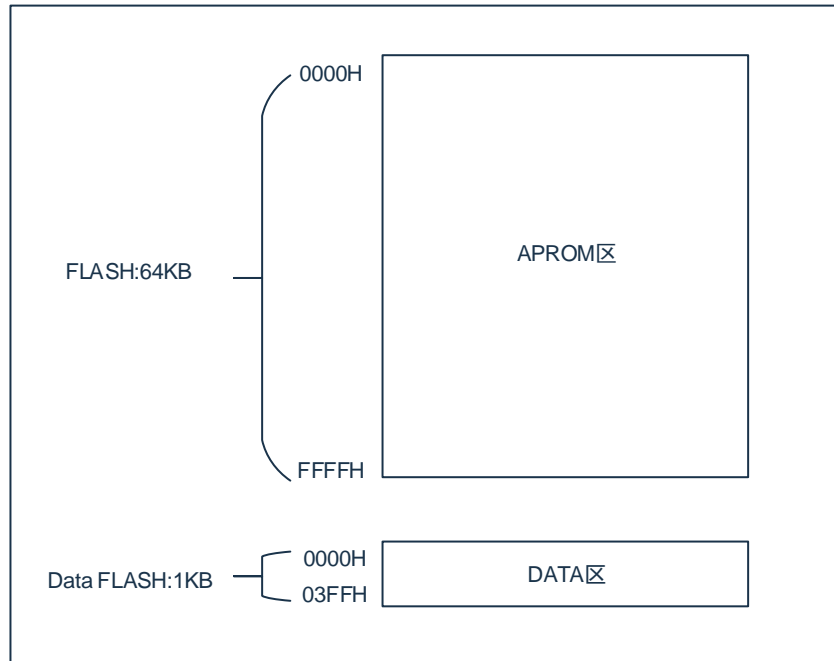
- With a maximum of 64KB program area, 256B RAM space, 4KB XRAM, 1KB Non-volatile data area.
- With four oscillation modes.
- It supports three working modes: normal, idle, and sleep, which can effectively reduce power consumption.
- Built-in low-voltage reset LVR, low-voltage monitoring LVD, watchdog overflow reset and other protection settings can effectively improve the reliability of system operation.
- With multiple interrupt sources such as external interrupts, timed interrupts and other peripheral interrupts, it can respond to external events in a timely manner and improve the utilization of the MCU.
- 10 timers, which can realize functions such as timing, counting, input capture, output comparison, timing wake-up, and baud rate generator.
- With hardware multiplication and division unit MDU, cyclic redundancy check unit CRC.
- Up to 8COM and 24SEG LED driver modules are supported.
- Up to 8COM and 32SEG LCD driver modules are supported.
- 6-channel 16-bit PWM, supports independent, complementary, and synchronous three-mode output, and has hardware brake function, dead zone control function, mask output and other functions.
- With high-precision 12-bit ADC and selectable internal reference voltage, up to 2 operational amplifiers, up to 2 comparators, and more abundant analog functions.

2.2 Memory structure

2.2.1 Program memory FLASH

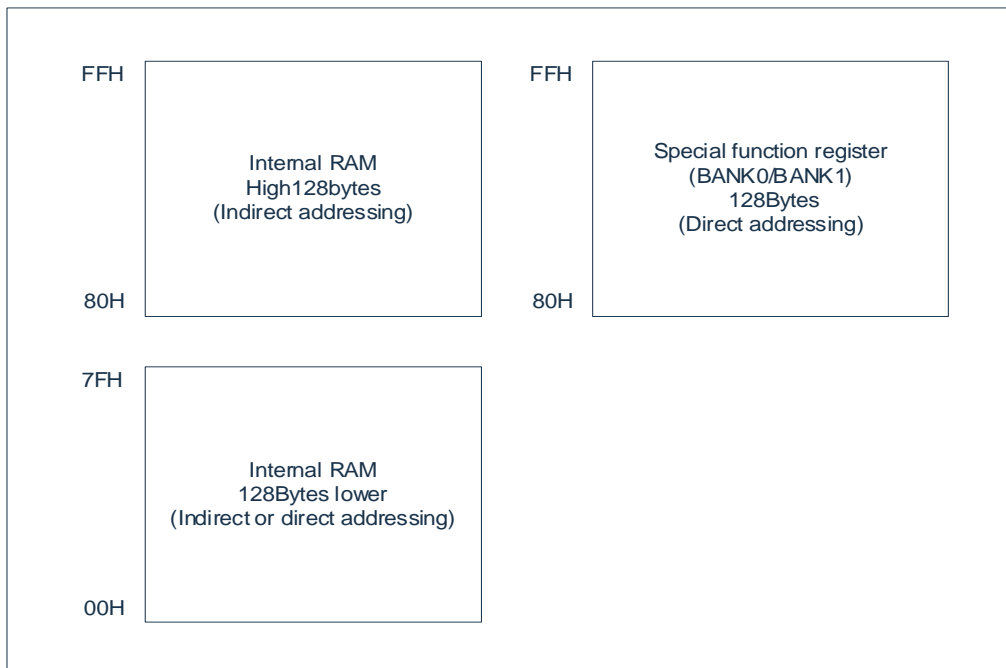
The chip has a 64KB FLASH memory space.

The block diagram of the FLASH space allocation structure is as follows:



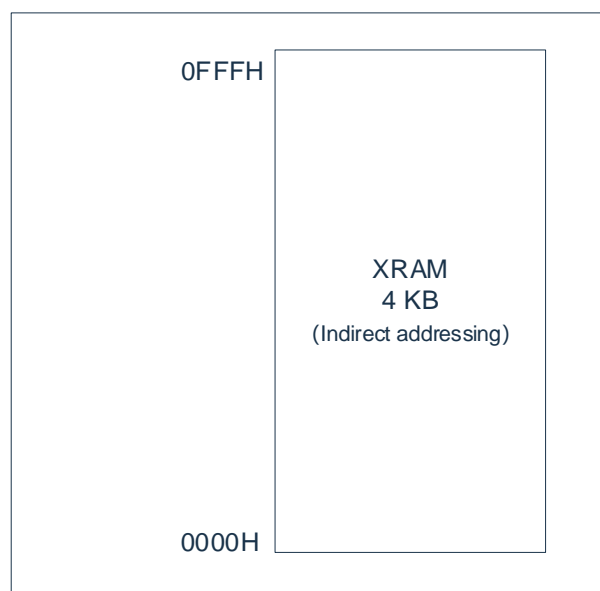
2.2.2 Internal data memory RAM

The internal data memory is divided into 3 parts: low 128Bytes, high 128Bytes, SFR. The structure diagram of RAM space allocation is shown in the figure below:



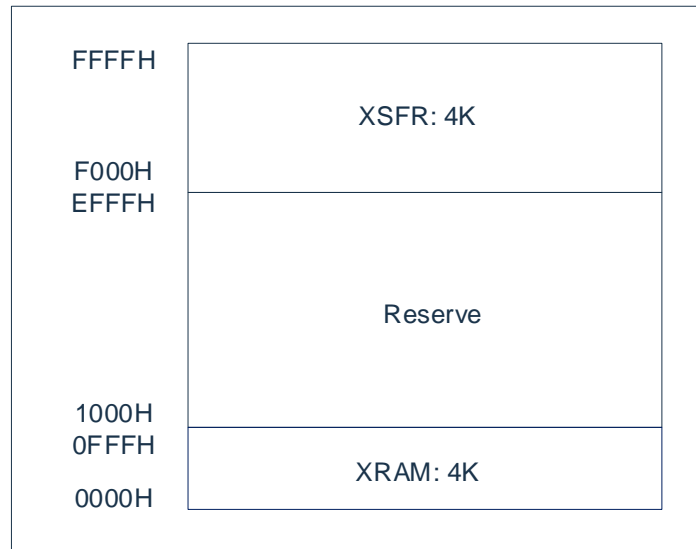
2.2.3 External data memory XRAM

There is 4KB XRAM area inside the chip, which is not related to RAM/FLASH. The structure diagram of XRAM space allocation is shown in the figure below.



2.2.4 Special function register XSFR

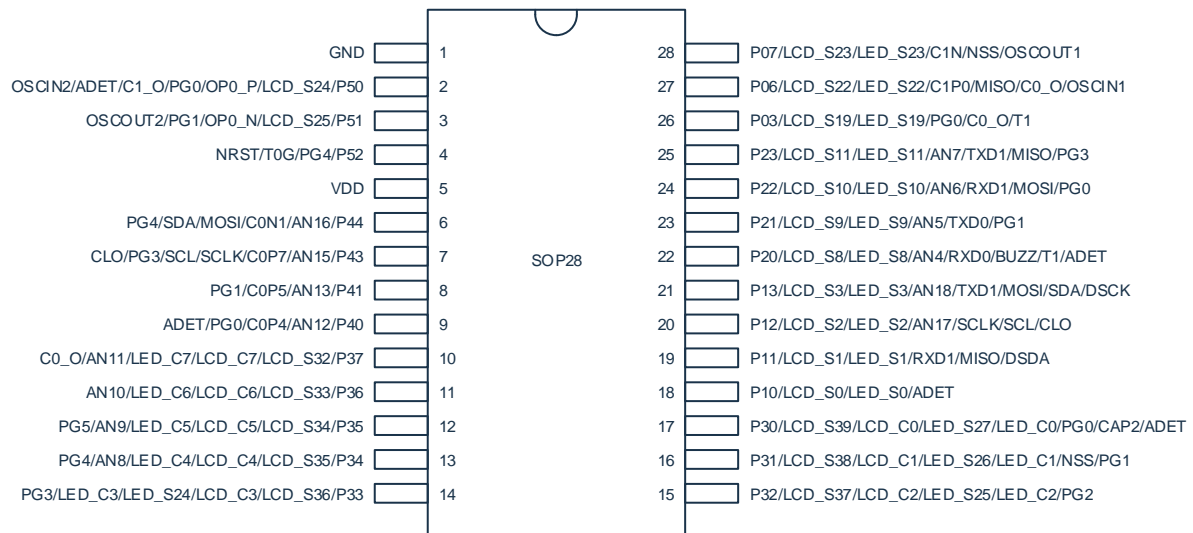
XSFR is a special register shared by the addressing space and XRAM, which mainly includes: port control register and other function control registers. Its addressing range is as follows:



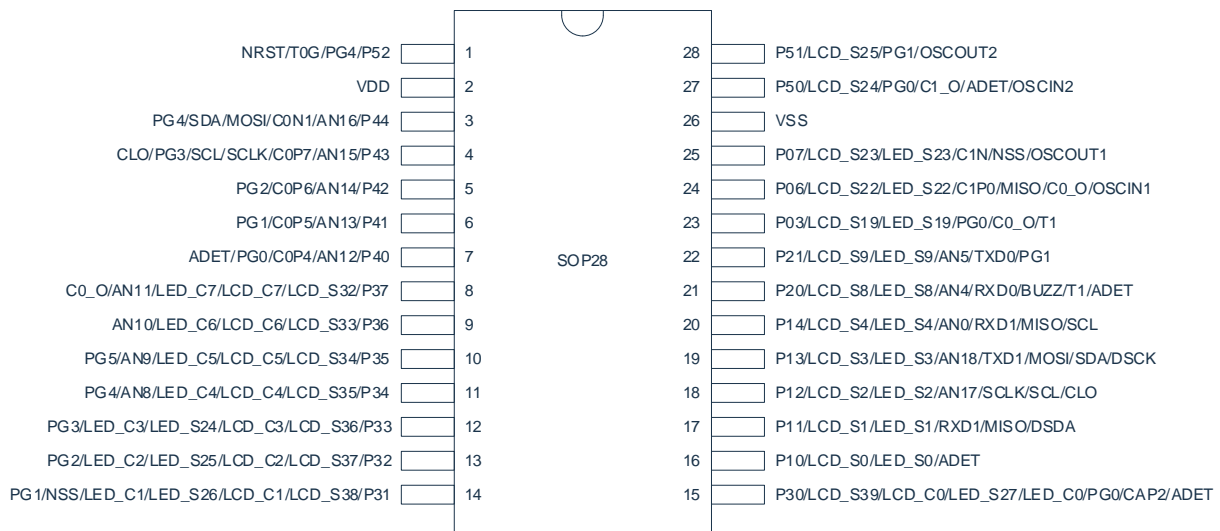
3. Pin definition

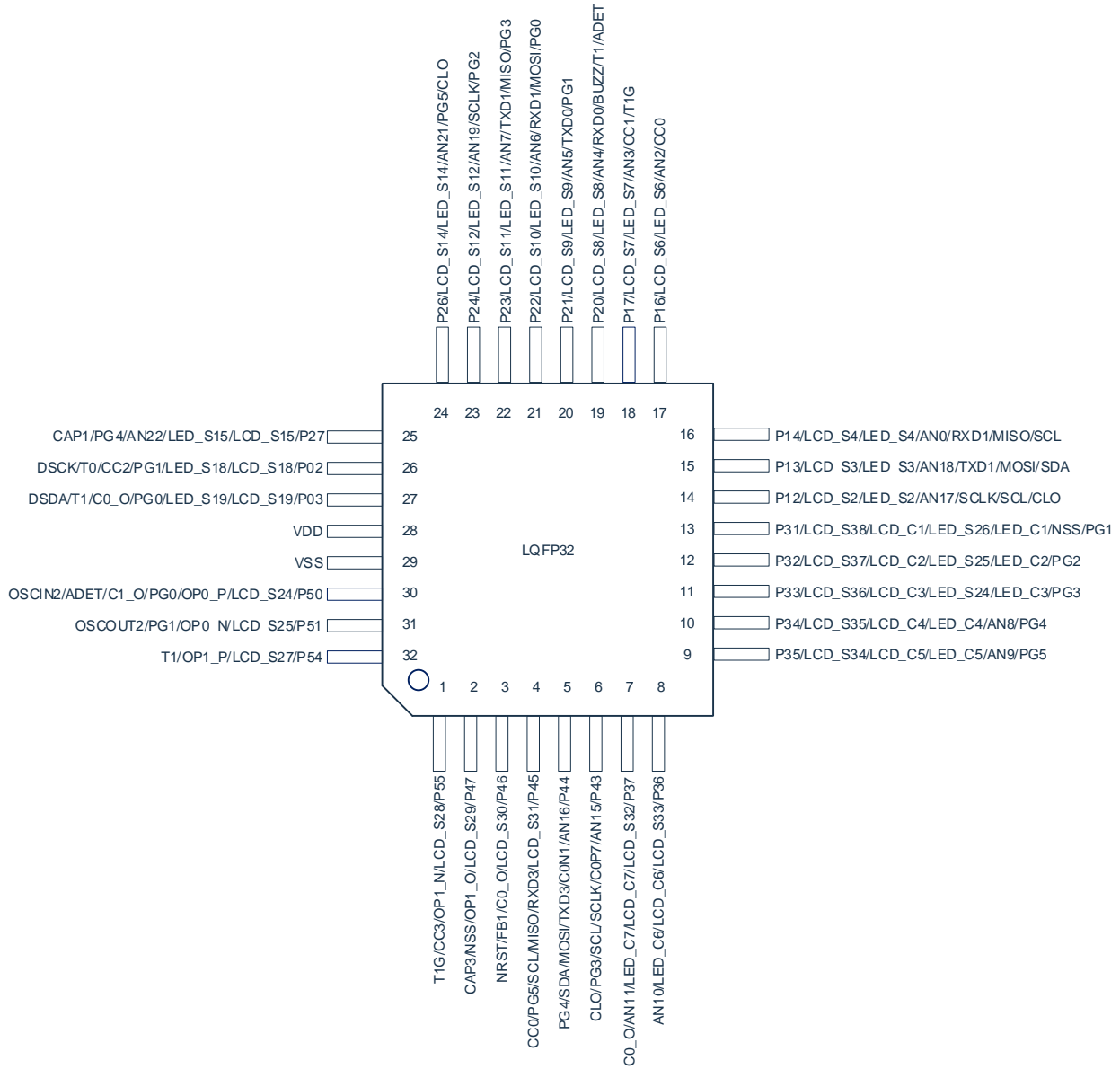
3.1 Pin description

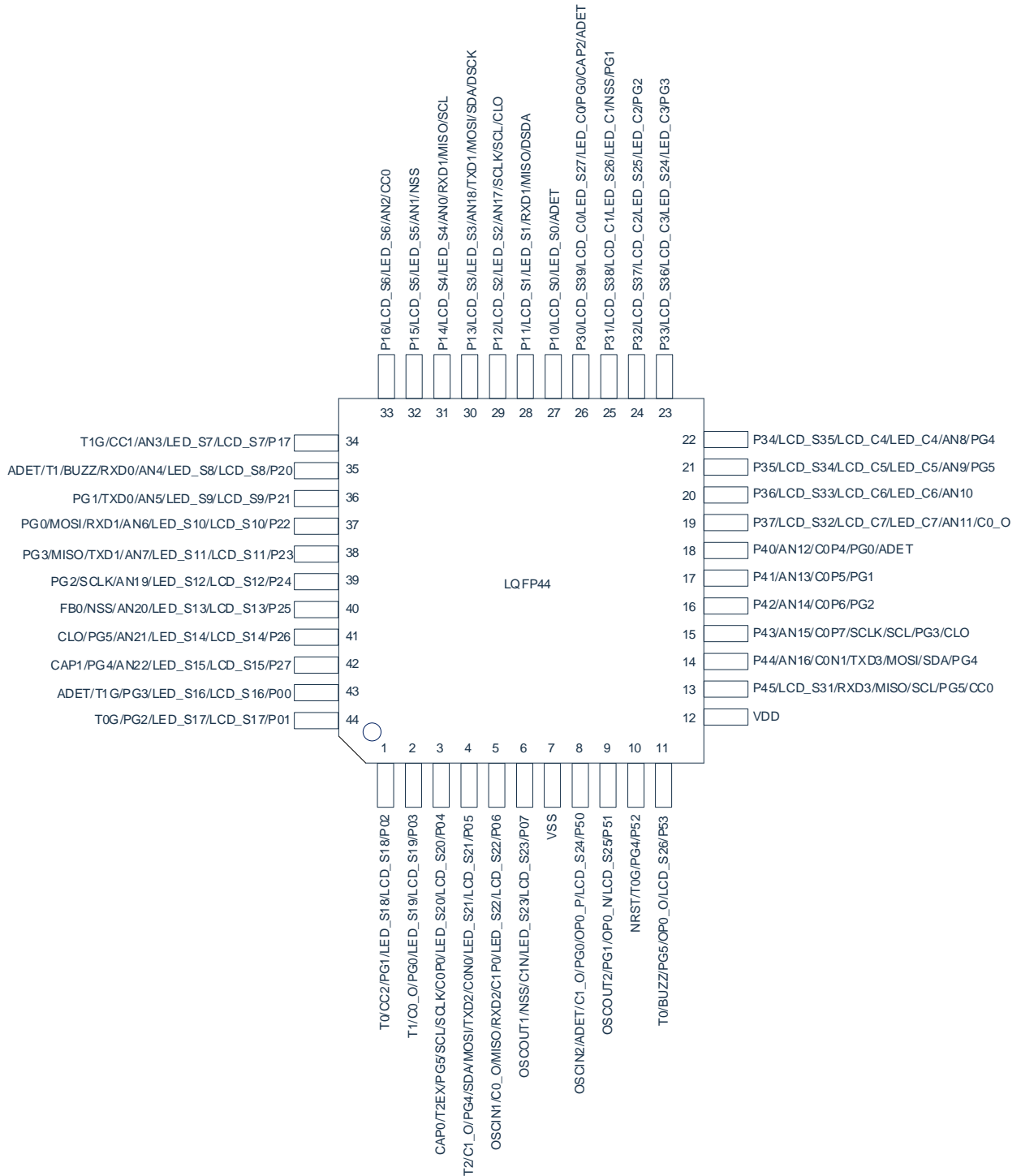
3.1.1 CMS80F2618 Pin diagram

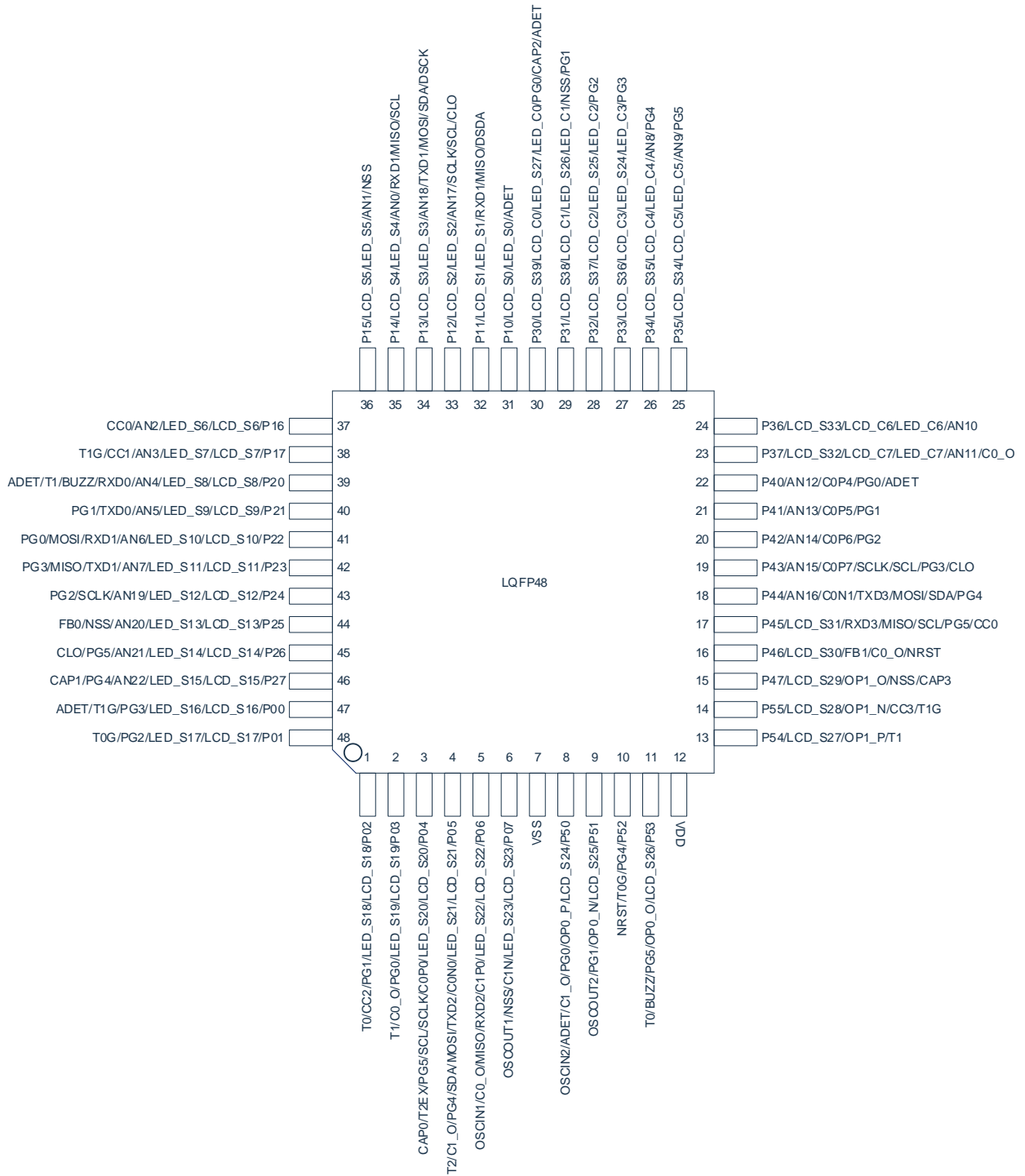


3.1.2 CMS80F26182 Pin diagram



3.1.3 CMS80F2619 Pin diagram


3.1.4 CMS80F261A Pin diagram


3.1.15 CMS80F261B Pin diagram


3.2 Pin Description

symbol description: I/O digital input or output, I digital input, O digital output, AI analog input, AO analog output.

Number					Function	Type	Description
CMS80F 2618	CMS80F 26182	CMS80F 2619	CMS80F 261A	CMS80F 261B			
-	-	-	43	47	P00	I/O	GPIO configures input or output, pull-up or pull-down functions through registers
					LCD_S16	AO	LCD SEG16 output
					LED_S16	O	LED SEG16 output
					PG3	O	PWM output channel 3
					T1G	I	Timer1 gate control input
					ADET	I	ADC external trigger input
-	-	-	44	48	P01	I/O	GPIO configures input or output, pull-up or pull-down functions through registers
					LCD_S17	AO	LCD SEG17 output
					LED_S17	O	LED SEG17 output
					PG2	O	PWM output channel 2
-	-	26	1	1	P02	I/O	GPIO configures input or output, pull-up or pull-down functions through registers
					LCD_S18	AO	LCD SEG18 output
					LED_S18	O	LED SEG18 output
					PG1	O	PWM output channel 1
					CC2	O	Timer2 comparison output channel 2
					T0	I	Timer0 external clock input
26	23	27	2	2	P03	I/O	GPIO configures input or output, pull-up or pull-down functions through registers
					LCD_S19	AO	LCD SEG19 output
					LED_S19	O	LED SEG19 output
					PG0	O	PWM output channel 0
					C0_O	O	ACMP0 output
					T1	I	Timer1 external clock input
					DSDA ^{Note1}	I/O	Programming and debugging data input and output (Only CMS80F2619 supports this debugging function, programming has no impact)
-	-	-	3	3	P04	I/O	GPIO configures input or output, pull-up or pull-down functions through registers
					LCD_S20	AO	LCD SEG20 output
					LED_S20	O	LED SEG20 output
					C0P0	AI	ACMP0 positive input channel 0
					SCLK	I/O	SPI clock input and output
					SCL	I/O	I ² C clock input and output
					PG5	O	PWM output channel 5
					T2EX	I	Timer2 fall edge automatic reload input

Number					Function	Type	Description
CMS80F 2618	CMS80F 26182	CMS80F 2619	CMS80F 261A	CMS80F 261B			
					CAP0	I	Timer2 input capture channel 0
-	-	-	4	4	P05	I/O	GPIO configures input or output, pull-up or pull-down functions through registers
					LCD_S21	AO	LCD SEG21 output
					LED_S21	O	LED SEG21 output
					C0N0	AI	ACMP0 negative input channel 0
					TXD2	O	UART2 data output
					MOSI	I/O	SPI master send and slave receive
					SDA	I/O	I ² C data input and output
					PG4	O	PWM output channel 4
					C1_O	O	ACMP1 output
					T2	I	Timer2 external events or gate control input
27	24	-	5	5	P06	I/O	GPIO configures input or output, pull-up or pull-down functions through registers
					LCD_S22	AO	LCD SEG22 output
					LED_S22	O	LED SEG22 output
					C1P0	AI	ACMP1 positive input channel 0
					RXD2	I/O	UART2 data input or synchronous mode data output
					MISO	I/O	SPI master receive and slave send
					C0_O	O	ACMP0 output
					OSCIN1	AI	External oscillation 1 input
28	25	-	6	6	P07	I/O	GPIO configures input or output, pull-up or pull-down functions through registers
					LCD_S23	AO	LCD SEG23 output
					LED_S23	O	LED SEG23 output
					C1N	AI	ACMP1 negative input
					NSS(NSS O0)	I/O	SPI slave select input or master select channel 0 output
					OSCOU1	AO	External oscillation 1 output
18	16	-	27	31	P10	I/O	GPIO configures input or output, pull-up or pull-down functions through registers
					LCD_S0	AO	LCD SEG0 output
					LED_S0	O	LED SEG0 output
					ADET	I	ADC external trigger input
19	17	-	28	32	P11	I/O	GPIO configures input or output, pull-up or pull-down functions through registers
					LCD_S1	AO	LCD SEG1 output
					LED_S1	O	LED SEG1 output
					RXD1	I/O	UART1 data input or synchronous mode data output
					MISO	I/O	SPI master receive and slave send
					DSDA ^{Note2}	I/O	Programming and debugging data input and output (Only CMS80F2619 supports this debugging function, programming has no impact)

Number					Function	Type	Description
CMS80F 2618	CMS80F 26182	CMS80F 2619	CMS80F 261A	CMS80F 261B			
20	18	14	29	33	P12	I/O	GPIO configures input or output, pull-up or pull-down functions through registers
					LCD_S2	AO	LCD SEG2 output
					LED_S2	O	LED SEG2 output
					AN17	AI	ADC input channel 17
					SCLK	I/O	SPI clock input and output
					SCL	I/O	I ² C clock input and output
					CLO	O	System clock division output
21	19	15	30	34	P13	I/O	GPIO configures input or output, pull-up or pull-down functions through registers
					LCD_S3	AO	LCD SEG3 output
					LED_S3	O	LED SEG3 output
					TXD1	O	UART1 data output
					AN18	AI	ADC input channel 18
					MOSI	I/O	SPI master send and slave receive
					SDA	I/O	I ² C data input and output
D _{SCK} ^{Note2}	I/O	Programming and debugging clock input and output (Only CMS80F2619 supports this debugging function, programming has no impact)					
-	20	16	31	35	P14	I/O	GPIO configures input or output, pull-up or pull-down functions through registers
					LCD_S4	AO	LCD SEG4 output
					LED_S4	O	LED SEG4 output
					AN0	AI	ADC input channel 0
					RXD1	I/O	UART1 data input or synchronous mode data output
					MISO	I/O	SPI master receive and slave send
-	-	-	32	36	P15	I/O	GPIO configures input or output, pull-up or pull-down functions through registers
					LCD_S5	AO	LCD SEG5 output
					LED_S5	O	LED SEG5 output
					AN1	AI	ADC input channel 1
					NSS(NSS O1)	I/O	SPI slave select input or master select channel 1 output
					-	-	17
LCD_S6	AO	LCD SEG6 output					
LED_S6	O	LED SEG6 output					
AN2	AI	ADC input channel 2					
CC0	O	Timer2 comparison output channel 0					
-	-	18	34	38	P17	I/O	GPIO configures input or output, pull-up or pull-down functions through registers
					LCD_S7	AO	LCD SEG7 output
					LED_S7	O	LED SEG7 output
					AN3	AI	ADC input channel 3

Number					Function	Type	Description
CMS80F 2618	CMS80F 26182	CMS80F 2619	CMS80F 261A	CMS80F 261B			
					CC1	O	Timer2 comparison output channel 1
					T1G	I	Timer1 gate control input
22	21	19	35	39	P20	I/O	GPIO configures input or output, pull-up or pull-down functions through registers
					LCD_S8	AO	LCD SEG8 output
					LED_S8	O	LED SEG8 output
					AN4	AI	ADC input channel 4
					RXD0	I/O	UART0 data input or synchronous mode data output
					BUZZ	O	Buzzer output
					T1	I	Timer1 external clock input
					ADET	I	ADC external trigger input
23	22	20	36	40	P21	I/O	GPIO configures input or output, pull-up or pull-down functions through registers
					LCD_S9	AO	LCD SEG9 output
					LED_S9	O	LED SEG9 output
					AN5	AI	ADC input channel 5
					TXD0	O	UART0 data output
					PG1	O	PWM output channel 1
24	-	21	37	41	P22	I/O	GPIO configures input or output, pull-up or pull-down functions through registers
					LCD_S10	AO	LCD SEG10 output
					LED_S10	O	LED SEG10 output
					AN6	AI	ADC input channel 6
					RXD1	I/O	UART1 data input or synchronous mode data output
					MOSI	I/O	SPI master send and slave receive
25	-	22	38	42	P23	I/O	GPIO configures input or output, pull-up or pull-down functions through registers
					LCD_S11	AO	LCD SEG11 output
					LED_S11	O	LED SEG11 output
					AN7	AI	ADC input channel 7
					TXD1	O	UART1 data output
					MISO	I/O	SPI master receive and slave send
					PG3	O	PWM output channel 3
-	-	23	39	43	P24	I/O	GPIO configures input or output, pull-up or pull-down functions through registers
					LCD_S12	AO	LCD SEG12 output
					LED_S12	O	LED SEG12 output
					AN19	AI	ADC input channel 19
					SCLK	I/O	SPI clock input and output
					PG2	O	PWM output channel 2
-	-	-	40	44	P25	I/O	GPIO configures input or output, pull-up or pull-down functions through registers
					LCD_S13	AO	LCD SEG13 output
					LED_S13	O	LED SEG13 output

Number					Function	Type	Description
CMS80F 2618	CMS80F 26182	CMS80F 2619	CMS80F 261A	CMS80F 261B			
					AN20	AI	ADC input channel 20
					NSS(NSS O2)	I	SPI slave select input or master select channel 2 output
					FB0	I	PWM external brake signal 0 input
					P26	I/O	GPIO configures input or output, pull-up or pull-down functions through registers
					LCD_S14	AO	LCD SEG14 output
					LED_S14	O	LCD SEG14 output
					AN21	AI	ADC input channel 21
					PG5	I	PWM output channel 5
					CLO	O	System clock division output
					P27	I/O	GPIO configures input or output, pull-up or pull-down functions through registers
					LCD_S15	AO	LCD SEG15 output
					LED_S15	O	LED SEG15 output
					AN22	AI	ADC input channel 22
					PG4	I	PWM output channel 4
					CAP1	I	Timer2 input capture channel 1
					P30	I/O	GPIO configures input or output, pull-up or pull-down functions through registers
					LCD_S39	AO	LCD SEG39 output
					LCD_C0	AO	LCD COM0 output
					LED_S27	O	LED SEG27 output
					LED_C0	O	LED COM0 output
					PG0	I	PWM output channel 0
					CAP2	I	Timer2 input capture channel 2
					ADET	I	ADC external trigger input
					P31	I/O	GPIO configures input or output, pull-up or pull-down functions through registers
					LCD_S38	AO	LCD SEG38 output
					LCD_C1	AO	LCD COM1 output
					LED_S26	O	LED SEG26 output
					LED_C1	O	LED COM1 output
					PG1	I	PWM output channel 1
					NSS(NSS O3)	I/O	SPI slave select input or master select channel 3 output
					P32	I/O	GPIO configures input or output, pull-up or pull-down functions through registers
					LCD_S37	AO	LCD SEG37 output
					LCD_C2	AO	LCD COM2 output
					LED_S25	O	LED SEG25 output
					LED_C2	O	LED COM2 output
					PG2	I	PWM output channel 2
					P33	I/O	GPIO configures input or output, pull-up or pull-down functions through registers
					LCD_S36	AO	LCD SEG36 output
					LCD_C3	AO	LCD COM3 output

Number					Function	Type	Description
CMS80F 2618	CMS80F 26182	CMS80F 2619	CMS80F 261A	CMS80F 261B			
					LED_S24	O	LED SEG24 output
					LED_C3	O	LED COM3 output
					PG3	I	PWM output channel 3
13	11	10	22	26	P34	I/O	GPIO configures input or output, pull-up or pull-down functions through registers
					LCD_S35	AO	LCD SEG35 output
					LCD_C4	AO	LCD COM4 output
					LED_C4	O	LED COM4 output
					AN8	AI	ADC input channel 8
					PG4	I	PWM output channel 4
12	10	9	21	25	P35	I/O	GPIO configures input or output, pull-up or pull-down functions through registers
					LCD_S34	AO	LCD SEG34 output
					LCD_C5	AO	LCD COM5 output
					LED_C5	O	LED COM5 output
					AN9	AI	ADC input channel 9
					PG5	I	PWM output channel 5
11	9	8	20	24	P36	I/O	GPIO configures input or output, pull-up or pull-down functions through registers
					LCD_S33	AO	LCD SEG33 output
					LCD_C6	AO	LCD COM6 output
					LED_C6	O	LED COM6 output
					AN10	AI	ADC input channel 10
10	8	7	19	23	P37	I/O	GPIO configures input or output, pull-up or pull-down functions through registers
					LCD_S32	AO	LCD SEG32 output
					LCD_C7	AO	LCD COM7 output
					LED_C7	O	LED COM7 output
					AN11	AI	ADC input channel 11
					C0_O	O	ACMP0 output
9	7	-	18	22	P40	I/O	GPIO configures input or output, pull-up or pull-down functions through registers
					AN12	AI	ADC input channel 12
					C0P4	AI	Comparator 0 positive input channel 4
					PG0	O	PWM output channel 0
					ADET	I	ADC external trigger input
8	6	-	17	21	P41	I/O	GPIO configures input or output, pull-up or pull-down functions through registers
					AN13	AI	ADC input channel 13
					C0P5	AI	Comparator 0 positive input channel 5
					PG1	O	PWM output channel 1
-	5	-	16	20	P42	I/O	GPIO configures input or output, pull-up or pull-down functions through registers
					AN14	AI	ADC input channel 14
					C0P6	AI	Comparator 0 positive input channel 6
					PG2	O	PWM output channel 2
7	4	6	15	19	P43	I/O	GPIO configures input or output, pull-up or

Number					Function	Type	Description
CMS80F 2618	CMS80F 26182	CMS80F 2619	CMS80F 261A	CMS80F 261B			
							pull-down functions through registers
					AN15	AI	ADC input channel 15
					C0P7	AI	Comparator 0 positive input channel 7
					SCLK	I/O	SPI clock input and output
					SCL	I/O	I ² C clock input and output
					PG3	O	PWM output channel 3
					CLO	O	System clock division output
6	3	5	14	18	P44	I/O	GPIO configures input or output, pull-up or pull-down functions through registers
					AN16	AI	ADC input channel 16
					C0N1	AI	ACMP0 negative input channel 1
					TXD3	O	UART3 data output
					MOSI	I/O	SPI master send and slave receive
					SDA	I/O	I ² C data input and output
					PG4	O	PWM output channel 4
-	-	4	13	17	P45	I/O	GPIO configures input or output, pull-up or pull-down functions through registers
					LCD_S31	AO	LCD SEG31 output
					RXD3	I/O	UART3 data input or synchronous mode data output
					MISO	I/O	SPI master receive and slave send
					SCL	I/O	I ² C clock input and output
					PG5	O	PWM output channel 5
					CC0	O	Timer2 comparison output channel 0
-	-	3	-	16	P46	I/O	GPIO configures input or output, pull-up or pull-down functions through registers
					LCD_S30	AO	LCD SEG30 output
					C0_O	O	ACMP0 output
					FB1	I	PWM external brake signal 1 input
					NRST	I	External reset
-	-	2	-	15	P47	I/O	GPIO configures input or output, pull-up or pull-down functions through registers
					LCD_S29	AO	LCD SEG29 output
					OP1_O	AO	OP1 output
					NSS(NSS O3)	I/O	SPI slave select input or master select channel 3 output
					CAP3	I	Timer2 input capture channel 3
2	27	30	8	8	P50	I/O	GPIO configures input or output, pull-up or pull-down functions through registers
					LCD_S24	AO	LCD SEG24 output
					OP0_P	AI	OP0 positive channel input
					PG0	O	PWM output channel 0
					C1_O	O	ACMP1 output
					ADET	I	ADC external trigger input
					OSCIN2	AI	External oscillation 2 input
3	28	31	9	9	P51	I/O	GPIO configures input or output, pull-up or pull-down functions through registers

Number					Function	Type	Description
CMS80F 2618	CMS80F 26182	CMS80F 2619	CMS80F 261A	CMS80F 261B			
					LCD_S25	AO	LCD SEG25 output
					OP0_N	AI	OP0 negative channel input
					PG1	O	PWM output channel 1
					OSCOUT2	AO	External oscillation 2 output
4	1	-	10	10	P52	I/O	GPIO configures input or output, pull-up or pull-down functions through registers
					PG4	O	PWM output channel 4
					T0G	I	Timer0 gate control input
					NRST	I	External reset
-	-	-	11	11	P53	I/O	GPIO configures input or output, pull-up or pull-down functions through registers
					LCD_S26	AO	LCD SEG26 output
					OP0_O	AO	OP0 output
					PG5	O	PWM output channel 5
					BUZZ	O	Buzzer output
					T0	I	Timer0 external clock input
-	-	32	-	13	P54	I/O	GPIO configures input or output, pull-up or pull-down functions through registers
					LCD_S27	AO	LCD SEG27 output
					OP1_P	AI	OP1 positive channel input
					T1	I	Timer1 external clock input
-	-	1	-	14	P55	I/O	GPIO configures input or output, pull-up or pull-down functions through registers
					LCD_S28	AO	LCD SEG28 output
					OP1_N	AI	OP1 negative channel input
					CC3	O	Timer2 comparison output channel 3
					T1G	I	Timer1 gate control input
5	2	28	12	12	VDD	P	Power supply
1	26	29	7	7	VSS	P	Ground

Note1: The debug pin of CMS80F2619 is DSDA(P03), DSCK(P02)。

Note 2: The debug pin of CMS80F2618, CMS80F26182, CMS80F261A and CMS80F261B is DSDA(P11), DSCK(P13)

3.3 GPIO Features

Various functions of the pins are shared, and each I/O port can be configured as any digital function or specified analog function. As a general-purpose GPIO port, I/O has the following features:

- The output rate can be configured in two levels.
- Data latch status or pin status can be read.
- Rising or falling or double edge trigger interrupt.
- The rising edge, falling edge and double edge interrupt can be configured to wake up the chip.
- Can be configured into normal input, pull-up input, pull-down input, push-pull output, open-drain output mode.

3.4 List Of Pin Functions

Digital function list:

	External input	Digital function configuration						
		0	1	2	3	4	5	6
P00	T1G, ADET	GPIO	ANA	-	-	-	PG3	-
P01	T0G	GPIO	ANA	-	-	-	PG2	-
P02	T0	GPIO	ANA	-	-	-	PG1	CC2
P03	T1	GPIO	ANA	-	-	-	PG0	C0_O
P04	T2EX, CAP0	GPIO	ANA	-	SCLK	SCL	PG5	-
P05	T2	GPIO	ANA	TXD2	MOSI	SDA	PG4	C1_O
P06	-	GPIO	ANA	RXD2	MISO	-	-	C0_O
P07	-	GPIO	ANA	-	NSS(NSS00)	-	-	-
P10	ADET	GPIO	ANA	-	-	-	-	-
P11	-	GPIO	ANA	RXD1	MISO	-	-	-
P12	-	GPIO	ANA	-	SCLK	SCL	-	CLO
P13	-	GPIO	ANA	TXD1	MOSI	SDA	-	-
P14	-	GPIO	ANA	RXD1	MISO	SCL	-	-
P15	-	GPIO	ANA	-	NSS(NSS01)	-	-	-
P16	-	GPIO	ANA	-	-	-	-	CC0
P17	T1G	GPIO	ANA	-	-	-	-	CC1
P20	T1, ADET	GPIO	ANA	RXD0	-	-	-	BUZZ
P21	-	GPIO	ANA	TXD0	-	-	PG1	-
P22	-	GPIO	ANA	RXD1	MOSI	-	PG0	-
P23	-	GPIO	ANA	TXD1	MISO	-	PG3	-
P24	-	GPIO	ANA	-	SCLK	-	PG2	-
P25	-	GPIO	ANA	-	NSS(NSS02)	-	FB0	-
P26	-	GPIO	ANA	-	-	-	PG5	CLO
P27	CAP1	GPIO	ANA	-	-	-	PG4	-
P30	CAP2, ADET	GPIO	ANA	-	-	-	PG0	-
P31	-	GPIO	ANA	-	NSS(NSS03)	-	PG1	-
P32	-	GPIO	ANA	-	-	-	PG2	-
P33	-	GPIO	ANA	-	-	-	PG3	-
P34	-	GPIO	ANA	-	-	-	PG4	-
P35	-	GPIO	ANA	-	-	-	PG5	-
P36	-	GPIO	ANA	-	-	-	-	-
P37	-	GPIO	ANA	-	-	-	-	C0_O
P40	ADET	GPIO	ANA	-	-	-	PG0	-
P41	-	GPIO	ANA	-	-	-	PG1	-
P42	-	GPIO	ANA	-	-	-	PG2	-
P43	-	GPIO	ANA	-	SCLK	SCL	PG3	CLO
P44	-	GPIO	ANA	TXD3	MOSI	SDA	PG4	-
P45	-	GPIO	ANA	RXD3	MISO	SCL	PG5	CC0
P46	-	GPIO	ANA	-	-	-	FB1	C0_O
P47	CAP3	GPIO	ANA	-	NSS(NSS03)	-	-	-

P50	ADET	GPIO	ANA	-	-	-	PG0	C1_O
P51	-	GPIO	ANA	-	-	-	PG1	-
P52	T0G	GPIO	ANA	-	-	-	PG4	-
P53	T0	GPIO	ANA	-	-	-	PG5	BUZZ
P54	T1	GPIO	ANA	-	-	-	-	-
P55	T1G	GPIO	ANA	-	-	-	-	CC3

Led, analog function, CONFIG configuration list:

	GPIO(0)		ANA(1)					CONFIG
	LEDSEG	LEDCOM	ADC	LCDSEG	LCDCOM	ACMP	OP	
P00	LED_S16	-	-	LCD_S16	-	-	-	-
P01	LED_S17	-	-	LCD_S17	-	-	-	-
P02	LED_S18	-	-	LCD_S18	-	-	-	DSCK
P03	LED_S19	-	-	LCD_S19	-	-	-	DSDA
P04	LED_S20	-	-	LCD_S20	-	C0P0	-	-
P05	LED_S21	-	-	LCD_S21	-	C0N0	-	-
P06	LED_S22	-	-	LCD_S22	-	C1P0	-	OSCIN1
P07	LED_S23	-	-	LCD_S23	-	C1N	-	OSCOU1
P10	LED_S0	-	-	LCD_S0	-	-	-	-
P11	LED_S1	-	-	LCD_S1	-	-	-	DSDA
P12	LED_S2	-	AN17	LCD_S2	-	-	-	-
P13	LED_S3	-	AN18	LCD_S3	-	-	-	DSCK
P14	LED_S4	-	AN0	LCD_S4	-	-	-	-
P15	LED_S5	-	AN1	LCD_S5	-	-	-	-
P16	LED_S6	-	AN2	LCD_S6	-	-	-	-
P17	LED_S7	-	AN3	LCD_S7	-	-	-	-
P20	LED_S8	-	AN4	LCD_S8	-	-	-	-
P21	LED_S9	-	AN5	LCD_S9	-	-	-	-
P22	LED_S10	-	AN6	LCD_S10	-	-	-	-
P23	LED_S11	-	AN7	LCD_S11	-	-	-	-
P24	LED_S12	-	AN19	LCD_S12	-	-	-	-
P25	LED_S13	-	AN20	LCD_S13	-	-	-	-
P26	LED_S14	-	AN21	LCD_S14	-	-	-	-
P27	LED_S15	-	AN22	LCD_S15	-	-	-	-
P30	LED_S27	LED_C0	-	LCD_S39	LCD_C0	-	-	-
P31	LED_S26	LED_C1	-	LCD_S38	LCD_C1	-	-	-
P32	LED_S25	LED_C2	-	LCD_S37	LCD_C2	-	-	-
P33	LED_S24	LED_C3	-	LCD_S36	LCD_C3	-	-	-
P34	-	LED_C4	AN8	LCD_S35	LCD_C4	-	-	-
P35	-	LED_C5	AN9	LCD_S34	LCD_C5	-	-	-
P36	-	LED_C6	AN10	LCD_S33	LCD_C6	-	-	-
P37	-	LED_C7	AN11	LCD_S32	LCD_C7	-	-	-
P40	-	-	AN12	-	-	C0P4	-	-
P41	-	-	AN13	-	-	C0P5	-	-

P42	-	-	AN14	-	-	C0P6	-	-
P43	-	-	AN15	-	-	C0P7	-	-
P44	-	-	AN16	-	-	C0N1	-	-
P45	-	-	-	LCD_S31	-	-	-	-
P46	-	-	-	LCD_S30	-	-	-	NRST
P47	-	-	-	LCD_S29	-	-	OP1_O	-
P50	-	-	-	LCD_S24	-	-	OP0_P	OSCIN2
P51	-	-	-	LCD_S25	-	-	OP0_N	OSCOU2
P52	-	-	-	-	-	-	-	NRST
P53	-	-	-	LCD_S26	-	-	OP0_O	-
P54	-	-	-	LCD_S27	-	-	OP1_P	-
P55	-	-	-	LCD_S28	-	-	OP1_N	-

Note: The chip pins are subject to the actual chip.

4. Function summary

4.1 System clock

The system clock has 4 clock sources, which can be selected through the system configuration register settings. The system clock module has the following characteristics:

- Internal high-speed oscillation HSI (48MHz)。
- External high-speed crystal oscillator HSE (8MHz/16MHz)。
- External low-speed crystal oscillator LSE (32.768KHz)。
- Internal low-speed oscillation LSI (125KHz)。

4.2 Reset

The reset operation is used to complete the initialization of the internal circuit of the chip, so that the system starts working from a certain state. The chip has the following reset methods:

- Power-on reset.
- External reset.
- Low voltage reset.
- CONFIG state protection reset.
- Power-on configuration monitoring reset.
- Watchdog timeout reset.
- Software reset.

Any of the above reset situations requires a certain response time, and the system provides a complete reset process to ensure the smooth progress of the reset action.

4.3 Power management

4.3.1 Operating mode

The chip has 3 different working modes to meet the power consumption requirements of different applications.

- Normal working mode: MCU is in normal working state and peripherals are operating normally.
- Idle mode IDLE: MCU is in idle mode, CPU stops working, and peripherals operate normally. This mode can be awakened by any interrupt.
- Sleep mode STOP: MCU is in sleep mode, CPU stops working, and peripherals stop working. This mode can be awakened by INT0/1 interrupt, external interrupt, WUT timing wakeup, LSE timing wakeup.

4.3.2 Power supply low voltage reset (LVR)

When the power supply voltage is lower than the set detection voltage, the system resets.

There are 4 options for low voltage reset: 1.8V/2.0V/2.5V/3.5V.

4.3.3 Power supply low voltage detection (LVD)

The low voltage detection circuit compares the power supply voltage with the set voltage, and if the power supply voltage is lower than the set voltage, an interrupt request signal is generated.

The detectable voltage range can be set from 2.0V to 4.6V, with a total of 16 levels to choose from.

4.4 Interrupt control

The chip has multiple interrupt sources and interrupt vectors. The user-settable interrupts include INT0/1, Timer0/1, Timer2, Timer3/4, WDT, LSE_Timer, PWM, I2C, SPI, UART0/1/2/3, P0/P1/P2/P3/P4/P5, ACMP0/1, ADC, LVD, the actual number of interrupt sources varies by product.

The chip stipulates two interrupt priority levels, which can realize two-level interrupt nesting. When an interrupt has been responded, if a high-level interrupt sends a request, the latter can interrupt the former to achieve interrupt nesting.

4.5 Timer

4.5.1 WDT timer

The watchdog timer is an on-chip timer whose clock source is provided by the system clock. The WDT timeout will generate a reset. The watchdog reset is a protection setting of the system. When the system runs to an unknown state, the watchdog can be used to reset the system, thereby avoiding the system from entering an infinite loop. The WDT timer has the following characteristics:

- 8 levels of watchdog overflow time are selectable.
- Watchdog overflow interrupt can be set.
- Watchdog overflow reset can be set.

4.5.2 Timer counter 0/1 (Timer0/1)

Timer 0 is similar in type and structure to Timer 1, and is two 16-bit up-counting timers. Timer0 has 4 working modes, Timer1 has 3 working modes, they provide basic timing and event counting operations.

In "timer mode", the timer register is incremented every 12 or 4 system cycles when the timer clock is enabled. In the "counter mode", the timing register will increase whenever it detects a falling edge on the corresponding input pin (T0 or T1).

Timer0/1 has the following features:

- Can be used as a normal timer.
- Can be used for gated timing function.
- External counting function can be realized.
- Can be used for gated counting function.
- Counter overflow interrupt.

4.5.3 Timer counter 2 (Timer2)

Timer 2 is a 16-bit timer, which can be used for various digital signal generation and event capture, such as pulse generation, pulse width modulation, pulse width measurement, etc. Timer2 has the following characteristics:

- Can be used as a normal timer.
- Can be used for gated timing function.
- External counting function can be realized.
- With reinstall prohibition, overflow auto reinstall, external pin falling edge auto reinstall function.
- Capture can be triggered by rising edge, falling edge, both edges or writing the low byte of the capture register.
- With a comparison function, this function can generate a periodic signal and a PWM waveform with a controllable duty cycle.
- Interrupts can be generated for timing, external trigger, capture, and comparison.

4.5.4 Timer 3/4 (Timer3/4)

Timer 3/4 is similar to timer 0/1 and is two 16-bit timers. Timer3 has 4 working modes, and Timer4 has 3 working modes. Compared with Timer0/1, Timer3/4 only provides timing operation.

When the timer is started, the value of the register (counter) is incremented every 12 or 4 system cycles.

4.5.5 LSE timer (LSE_Timer)

The LSE timer is a 16-bit up-counting timer with a clock source from the external low-speed clock LSE. The LSE timer has the following characteristics:

- Timing function.
- 16-bit timing value can be set.
- Can work normally in sleep mode.
- An interrupt can be generated when the count value is equal to the timer value.
- Timed interrupt can wake up idle mode/sleep mode.

4.5.6 wake-up timer (WUT)

WUT wake-up timer is a 12-bit, up-counting timer used for wake-up from sleep and a clock source from the internal low-speed clock LSI. After the system enters the sleep mode, the CPU and all peripheral circuits stop working, and the internal low-speed clock LSI provides the clock for the WUT counter. WUT has the following characteristics:

- The system can be woken up regularly in sleep mode.
- Count clock can be divided by 1, 8, 32, 256.
- 12-bit timing value can be set.

4.5.7 Baud rate timer (BRT/BRT1)

BRT and BRT1 timers are 16-bit baud rate timers (the clock source is from the system clock). They mainly provide clocks for the UART module. BRT/BRT1 has the following characteristics:

- With independent control switch.
- Counting clock has 8 frequency division options.
- 16-bit up counting.

4.6 Enhanced Digital Peripherals

4.6.1 Cyclic Redundancy Check (CRC)

CRC is a commonly used error-detecting code. The main feature is that any choice of length of information data and verification data is possible. CRC verification unit generates polynomial ' $X^{16}+X^{12}+X^5+1$ '(CRC-16-CCITT). The data that needs to be checked is selected from programs, therefore this module is not only used in program flashspace but many other places.

4.6.2 Multiplication and division unit (MDU)

The MDU module has the following characteristics:

- Support 32bit/16bit division.
- Support 16bit/16bit division.
- Support 16bit×16bit multiplication.
- Support 32 bit shift operation.
- Support normalization operation.

4.6.3 BUZZER

The buzzer driver is composed of an 8-bit counter, a clock driver, and a control register. It outputs a square wave with a duty cycle of 50%, and its frequency covers a wide range. BUZZER has the following characteristics:

- With separate enable control switch.
- A total of 4 levels of system clock divider ratios of 8, 16, 32, 64 can be set.
- Output frequency 8-bit control, can be set $(1\sim255) \times 2$ frequency division output.

4.6.4 Enhanced PWM module

The enhanced PWM module supports 6 PWM generators, and the period and duty cycle can be set independently. PWM has the following characteristics:

- Support 2 kinds of waveform output in single and continuous mode.
- Support 4 control modes: independent, complementary, synchronous and group control.
- Count clock can be divided by 1, 2, 4, 8, 16.
- Support two counting modes: edge alignment and center alignment, symmetrical and asymmetrical counting are supported in center alignment mode.
- Support mask output.
- Support dead zone programming.
- Output polarity can be set.
- Support cycle, compare up, compare down, zero interrupt.
- Support software brake, external port trigger brake, ADC comparison result trigger brake, ACMP output trigger brake.

4.7 Display interface

4.7.1 Hardware LCD driver module

The LCD drive module includes a controller, a duty cycle generator, COM and SEG output ports. The module has the following characteristics:

- Up to 8 COM ports and 32 SEG ports are supported.
- Support two modes of traditional resistance and fast charging.
- The fast charging time is optional.
- Support contrast adjustment.
- Optional bias voltage: 1/2, 1/3, 1/4.
- The duty cycle is optional: 1/4, 1/5, 1/6, 1/8.
- The clock source is optional: system clock, LSI, LSE.

4.7.2 Hardware LED drive module

The LED drive module can easily realize the display drive of the LED. The module has the following characteristics:

- 1/4, 1/5, 1/6, 1/8 four kinds of DUTY are optional.
- System clock, LSI, LSE three clock sources are optional
- 16-bit clock source frequency divider controller.
- Two driving modes of common cathode and common anode for COM port are optional.
- Supports up to 8 COM ports and 24 SEG ports.
- The COM port current 50mA and 150mA are two options (VOL=1.5V@VDD=5V).
- The SEG port current can be selected in 16 levels, and the maximum current can reach 40mA (VOH=3.5V@VDD=5V).

4.8 Communication module

4.8.1 SPI module

SPI is a fully configurable SPI master/slave device that allows users to configure the polarity and phase of the serial clock signal. SPI allows the MCU to communicate with serial peripherals, and it can also communicate between processors in a multi-host system. SPI has the following characteristics:

- Full-duplex synchronous serial data transmission.
- Support master/slave mode.
- Support multi-host system.
- System error detection.
- Support speed up to 1/4 of the system clock ($FSYS \leq 24\text{MHz}$).
- Bit rate generates 1/4, 1/8, 1/16, 1/32, 1/64, 1/128, 1/256, 1/512 of the system clock.
- Support four transmission formats.
- Send/receive complete can generate interrupt.

4.8.2 I²C module

The two-wire bidirectional serial bus controller I²C provides a simple and effective connection method for data exchange between the microprocessor and the I²C bus. The I²C module has the following characteristics:

- Support 4 working methods: master sending, master receiving, slave sending, slave receiving.
- Support 2 transmission speed modes:
 - Standard (up to 100Kb/s);
 - Fast (up to 400Kb/s).
- Perform arbitration and clock synchronization.
- Support multi-host system.
- The host method supports 7-bit addressing mode and 10-bit addressing mode on the I²C bus (software support).
- The slave method supports 7-bit addressing mode on the I²C bus.
- Allows operation in a wide range of clock frequencies (built-in 8-bit timer).
- An interrupt can be generated when receiving/sending is complete.

4.8.3 UARTn module

UARTn module contains UART0/ UART1/ UART2/ UART3, 4 serial ports with exactly the same function. UARTn has the following characteristics:

- Full-duplex serial port.
- Support synchronous mode.
- Support 8-bit asynchronous transceiver mode with variable baud rate.
- Support 9-bit asynchronous transceiver mode with variable baud rate.
- Baud rate can be generated by Timer1/Timer4/Timer2/BRT/ BRT1 module.
- Send/receive complete can generate interrupt.

4.9 Analog module

4.9.1 Analog to digital conversion (ADC)

ADC module is a 12-bit successive approximation analog-to-digital converter. The port analog input signal is connected to the input of the analog-to-digital converter after passing through the multiplexer. The analog-to-digital converter generates a 12-bit binary result according to the input analog signal and saves the result in the ADC result register. ADC has the following characteristics:

- Up to 23 external channels.
- ADC conversion clock has 8 clock frequencies to choose from.
- ADC reference voltage can choose VDD/1.2V/2.0V/2.4V/3.0V.
- A complete 12-bit conversion requires 18.5 ADC conversion cycles.
- Support external port edge, enhanced PWM trigger ADC conversion.
- Support ADC conversion result comparison output, comparison output can control enhanced PWM brake function.
- Support ADC conversion completion to generate interrupt.

4.9.2 Analog comparator (ACMP0/1)

The comparators ACMP0 and ACMP1 have the following characteristics:

- The positive end supports multiple input ports optional.
- The negative terminal can select port input or internal reference voltage.
- The internal reference voltage divider has a total of 16 gear selections.
- Support output filtering, a total of 11 filter time options.
- Support unilateral and bilateral hysteresis control.
- Hysteresis voltage optional 10/20/60mV.
- Support offset voltage software trimming.
- The output can be used as an enhanced PWM brake trigger signal.
- Support output change to generate interrupt.

4.9.3 Operational amplifier (OP0/1)

Operational amplifiers OP0 and OP1 have the following characteristics:

- The positive end supports internal 1.2V voltage input.
- Supports comparison and op amp modes.
- The output can be connected to the internal ACMP input for shaping.
- The output can be connected to ADC channel 31 for measurement.
- Support offset voltage software trimming.

4.10 FLASH memory

FLASH memory includes program memory (APROM) and non-volatile data memory (Data FLASH), which can be accessed through related special function registers (SFR) to realize IAP function. FLASH memory supports the following operations:

- Byte read operation.
- Byte write operation.
- Page erase operation.
- FLASH space CRC check operation.

4.11 Unique ID (UID)

Each chip has a 96-bit unique identification number, namely Unique identification. The UID has been set at the factory and cannot be modified by the user.

5. User Configuration

The system configuration register (CONFIG) is the FLASH option of the MCU's initial conditions, and the program cannot access and operate it. The following contents can be set through the system configuration register:

- Watchdog's working method.
- FLASH program area partition protection, code encryption, FLASH data area encryption status.
- Low voltage reset voltage.
- Disable or enable debug mode.
- Oscillation method, prescaler selection.
- Internal high-speed oscillator frequency division selection.
- External reset configuration, port selection.
- Sleep wake-up waiting time.
- APROM space.

6. Electrical Characteristics

Unless otherwise specified, the temperature condition T_A of the following parameters is 25°C.

6.1 Absolute Maximum Ratings

Symbol	Parameter	Min.	Max.	Unit
T_{ST}	storage temperature	-55	150	°C
T_A	Operating temperature	-40	105	°C
VDD-VSS	Operating voltage	-0.3	5.8	V
V_{IN}	Input voltage	VSS-0.3	VDD+0.3	V
I_{DD}	VDD maximum input current	-	120	mA
I_{SS}	VSS maximum output current	-	200	mA
I_{IO}	Single IO maximum sink current	-	50	mA
	Single IO maximum sink current (LED_COM)	-	150	mA
	Single IO maximum output current	-	40	mA
	Single IO maximum output current (LED_SEG)	-	40	mA
	All IO maximum sink current	-	200	mA
	All IO maximum output current	-	120	mA

Note: If the operating conditions of the device exceed the range of "**absolute maximum rating**", it will cause permanent damage to the device. The function can be guaranteed only when the device works within the scope specified in the manual. The chip is at the absolute maximum rated value, which may affect the reliability of the device.

6.2 DC Electrical Characteristics

VDD-VSS=2.1~5.5V, $T_A=25^\circ\text{C}$

Symbol	Parameter	Conditions	Min	Typ	Max	Unit
VDD	Operating Voltage	$F_{SYS}=48\text{MHz}$, $F_{CPU}=F_{SYS}/2$ $F_{SYS}=8\text{MHz}\sim 24\text{MHz}$, $F_{CPU}=F_{SYS}$	2.1	-	5.5	V
I_{DD}	Normal mode	VDD=5V, $F_{SYS}=48\text{MHz}$, $F_{CPU}=F_{SYS}/2$ All peripherals OFF	-	8	-	mA
		VDD=3V, $F_{SYS}=48\text{MHz}$, $F_{CPU}=F_{SYS}/2$ All peripherals OFF	-	8	-	mA
		VDD=5V, $F_{SYS}=24\text{MHz}$, $F_{CPU}=F_{SYS}$ All peripherals OFF	-	5	-	mA
		VDD=3V, $F_{SYS}=24\text{MHz}$, $F_{CPU}=F_{SYS}$ All peripherals OFF	-	5	-	mA
		VDD=5V, $F_{SYS}=16\text{MHz}$, $F_{CPU}=F_{SYS}$ All peripherals OFF	-	4	-	mA
		VDD=3V, $F_{SYS}=16\text{MHz}$, $F_{CPU}=F_{SYS}$ All peripherals OFF	-	4	-	mA
		VDD=5V, $F_{SYS}=8\text{MHz}$, $F_{CPU}=F_{SYS}$ All peripherals OFF	-	2.5	-	mA
		VDD=3V, $F_{SYS}=8\text{MHz}$, $F_{CPU}=F_{SYS}$ All peripherals OFF	-	2.5	-	mA
	IDLE mode	VDD=5V, $F_{SYS}=48\text{MHz}$ All peripherals OFF	-	6	-	mA
		VDD=3V, $F_{SYS}=48\text{MHz}$ All peripherals OFF	-	6	-	mA
		VDD=5V, $F_{SYS}=24\text{MHz}$ All peripherals OFF	-	3.5	-	mA
		VDD=3V, $F_{SYS}=24\text{MHz}$	-	3.5	-	mA

		All peripherals OFF				
		VDD=5V, F _{sys} =16MHz All peripherals OFF	-	2.8	-	mA
		VDD=3V, F _{sys} =16MHz All peripherals OFF	-	2.8	-	mA
		VDD=5V, F _{sys} =8MHz All peripherals OFF	-	2	-	mA
		VDD=3V, F _{sys} =8MHz All peripherals OFF	-	2	-	mA
I _{SLEEP1}	Sleep current	VDD=5V, except for LSE and LSE modules, other peripherals are turned off	-	20	-	uA
I _{SLEEP2}	Sleep current	VDD=5V, except for LSI and WUT modules, other peripherals are turned off	-	7	-	uA
I _{SLEEP3}	Sleep current	VDD=5V, all peripherals OFF	-	6	-	uA
I _{LI}	Input leakage	-	-1	-	1	uA
V _{IL}	Input low voltage	-	VSS	-	0.3VDD	V
V _{IH}	Input high voltage	-	0.7VDD	-	VDD	V
V _{OL}	Output low voltage	VDD=5V, I _{OL1} =18mA	-	-	0.4	V
		VDD=5V, I _{OL2} =50mA (LED_COM)	-	-	0.4	V
		VDD=3V, I _{OL1} =12mA	-	-	0.4	V
		VDD=3V, I _{OL2} =22mA (LED_COM)	-	-	0.4	V
V _{OH}	Output high voltage	VDD=5V, I _{OH1} =35mA	3.5	-	-	V
		VDD=5V, I _{OH2} =35mA (LED_SEG Max)	3.5	-	-	V
		VDD=5V, I _{OH3} =2.6mA (LED_SEG Min)	3.5	-	-	V
		VDD=3V, I _{OH1} =13.5mA	2.1	-	-	V
		VDD=3V, I _{OH2} =13.5mA (LED_SEG Max)	2.1	-	-	V
		VDD=3V, I _{OH3} =1mA (LED_SEG Min)	2.1	-	-	V
R _{PH}	Pull-up resistor	-	-	32	-	KΩ
R _{PL}	Pull-down resistor	-	-	32	-	KΩ

6.3 AC Electrical Parameters

6.3.1 Power On/Off And Reset Time

($T_A=25^{\circ}\text{C}$, Not include 32.768K crystal start-up time)

Symbol.	Parameter.	Conditions	Min.	Typ.	Max.	Unit
T_{RESET}	Reset time	VDD=5V	-	16	-	ms
TVDDR	VDD rise rate	VDD=5V	20	-	-	us/V
TVDDF	VDD fall rate	VDD=5V	20	-	-	us/V

6.3.2 External Oscillator

Symbol	Parameter	Conditions	Min.	Typ.	Max.	Unit
V_{HSE}	Operating Voltage	F=8/16MHz, $C_{\text{XT}}=0-47\text{pF}$	2.1	-	5.5	V
V_{LSE}	Operating Voltage	F=32.768KHz, $C_{\text{XT}}=10-22\text{pF}$	2.1	-	5.5	V

6.3.3 Internal Oscillator

VDD=2.1V-5.5V

Symbol	Parameter	Conditions	Frequency error range	Min.	Typ.	Max.	Unit
F_{HSI}	Internal high speed Oscillator 48MHz	$T_A=25^{\circ}\text{C}$	$\pm 1\%$	-	48	-	MHz
		$T_A=-20^{\circ}\text{C}$ to 85°C	$\pm 2\%$	-	48	-	MHz
		$T_A=-40^{\circ}\text{C}$ to 105°C	$\pm 3\%$	-	48	-	MHz
F_{LSI}	Internal low speed Oscillator 125KHz	$T_A=25^{\circ}\text{C}$	$\pm 20\%$	-	125	-	KHz
		$T_A=-40^{\circ}\text{C}$ to 105°C	$\pm 50\%$	-	125	-	KHz

6.3.4 Low Voltage Reset Electrical Parameters

Symbol	Parameter	Min.	Typ.	Max.	Unit
V_{LVR1}	detection threshold 1.8V	1.65	1.8	1.95	V
V_{LVR2}	detection threshold 2.0V	1.85	2.0	2.15	V
V_{LVR3}	detection threshold 2.5V	2.35	2.5	2.65	V
V_{LVR4}	detection threshold 3.5V	3.35	3.5	3.65	V

6.3.5 LVD electrical parameters

Symbol	Parameter	Min.	Typ.	Max.	Unit
V _{LVD1}	detection threshold 2.00V	1.90	2.00	2.10	V
V _{LVD2}	detection threshold 2.16V	2.06	2.16	2.26	V
V _{LVD3}	detection threshold 2.31V	2.21	2.31	2.41	V
V _{LVD4}	detection threshold 2.45V	2.35	2.45	2.55	V
V _{LVD5}	detection threshold 2.60V	2.50	2.60	2.70	V
V _{LVD6}	detection threshold 2.73V	2.63	2.73	2.83	V
V _{LVD7}	detection threshold 2.88V	2.78	2.88	2.98	V
V _{LVD8}	detection threshold 2.98V	2.88	2.98	3.08	V
V _{LVD9}	detection threshold 3.21V	3.11	3.21	3.31	V
V _{LVD10}	detection threshold 3.42V	3.32	3.42	3.52	V
V _{LVD11}	detection threshold 3.62V	3.52	3.62	3.72	V
V _{LVD12}	detection threshold 3.81V	3.71	3.81	3.91	V
V _{LVD13}	detection threshold 4.00V	3.90	4.00	4.10	V
V _{LVD14}	detection threshold 4.20V	4.10	4.20	4.30	V
V _{LVD15}	detection threshold 4.43V	4.33	4.43	4.53	V
V _{LVD16}	detection threshold 4.60V	4.50	4.60	4.70	V

6.4 FLASH Electrical Parameter

Symbol	Parameter	Conditions	Min.	Typ.	Max.	Unit
V _F	FLASH operating Voltage	-	2.1	-	5.5	V
T _F	FLASH operating Temperature	-	-40	25	105	°C
N _{ENDURANCE}	Sector Endurance	Program FLASH	20,000	-	-	Cycle
		Data FLASH	100,000	-	-	Cycle
T _{RET}	Data Retention Time	25°C	100	-	-	year
T _{ERASE}	Sector Erase Time	-	-	1.5	-	ms
T _{WRITE}	Byte write time	-	-	30	-	us
T _{READ}	Read time	-	-	3*T _{sys}	-	-
I _{DD1}	Read Current	-	-	-	2.5	mA
I _{DD2}	Programming Current	-	-	-	3.6	mA
I _{DD3}	Erase Current	-	-	-	2	mA

6.5 Analog Characteristics

6.5.1 BANDGAP Electrical Characteristics

Symbol	Parameter	Conditions	Min.	Typ.	Max.	Unit
V_{BG}	Internal reference 1.2V	$V_{DD}=2.1\sim 5.5V$, $T_A=25^\circ C$	1.188	1.2	1.212	V
		$V_{DD}=2.1\sim 5.5V$, $T_A=-20^\circ C$ to $85^\circ C$	1.182	1.2	1.218	V
		$V_{DD}=2.1\sim 5.5V$, $T_A=-40^\circ C$ to $105^\circ C$	1.176	1.2	1.224	V

6.5.2 ADC Electrical Characteristics

 $T_A=25^\circ C$

Symbol	Parameter	Min.	Typ.	Max.	Unit	
V_{AVDD}	ADC operating Voltage	2.5	-	5.5	V	
V_{REF1}	Reference voltage 1	-	V_{AVDD}	-	V	
V_{REF2}	Reference voltage 2 ^(Note1, Note2) (Not V_{BG})	1.185	1.2	1.215	V	
V_{REF3}	Reference voltage 3 ^(Note2)	1.985	2.0	2.015	V	
V_{REF4}	Reference voltage 4 ^(Note2)	2.385	2.4	2.415	V	
V_{REF5}	Reference voltage 5 ^(Note2)	2.985	3.0	3.015	V	
V_{ADI}	Input voltage	0	-	V_{REF}	V	
N_R	Resolution	12			Bit	
DNL	Differential nonlinearity ($V_{REF}=V_{AVDD}=5V$, $T_{ADCK}=0.5\mu s$)	± 2			LSB	
INL	Integral nonlinearity ($V_{REF}=V_{AVDD}=5V$, $T_{ADCK}=0.5\mu s$)	± 4			LSB	
T_{ADCK}	ADC Clock cycle	$V_{REF}=V_{DD}=5V$	0.5	-	-	us
		$V_{REF}=V_{REF2}$	32	-	-	
		$V_{REF}=V_{REF3}/V_{REF4}/V_{REF5}$	2	-	-	
T_{ADC}	ADC Conversion time	-	18.5	-	T_{ADCK}	
F_S	Sampling Rate ($V_{REF}=V_{AVDD}=5V$)	100			Ksps	

Note1: When $V_{REF}=V_{REF2}$, the precision is 8bit.

Note2: Test Condition: $T_A=25^\circ C$, $V_{AVDD}=5.0V$.

6.5.3 ACMP Electrical Characteristics

 $T_A=25^{\circ}\text{C}$, $V_{\text{SENSE}}=V_{\text{IN}+}-V_{\text{IN}-}$, $V_{\text{DD}}=5\text{V}$, $V_{\text{IN}+}=1\text{V}$

Symbol	Parameter	Conditions	Min.	Typ.	Max.	Unit
VDD	Supply voltage	-	2.1	-	5.5	V
I _Q	Quiescent Current	$V_{\text{SENSE}}=0.1\text{V}$	-	0.2	0.3	mA
I _{SD}	Shutdown current	$V_{\text{SENSE}}=0.1\text{V}$	-	10	-	nA
T _A	Operating temperature	-	-40	25	105	°C
Input characteristics						
V _{OS}	Input Off set Voltage	NO calibration (CnCON1[4:0]=10H)	-	±4.0	-	mV
		After calibration	-	±0.5	±1.0	
V _{CM}	Common-mode Input Range	-40°C~105°C	-0.1	-	VDD-1.3	V
I _B	Input Bias Current	$V_{\text{SENSE}}=0\text{mV}$	-	10	-	pA
I _{OS}	Input offset Current	$V_{\text{SENSE}}=0\text{mV}$	-	10	-	pA
V _{HYS}	Input hysteresis voltage	$V_{\text{DD}}=2.1\sim 5.5\text{V}$, $V_{\text{IN}+}=0.5\text{V}$	-	0 ±10 ±20 ±60	-	mV
Output characteristics						
V _{OH}	Maximum output voltage	-40°C~105°C	-	-	VDD	V
V _{OL}	Minimum output voltage	-40°C~105°C	0	-	-	V
Frequency characteristics						
A _{OL}	Open-loop voltage gain	-	-	90	-	dB
BW	Bandwidth	-	-	200	-	MHz
PSRR	Power supply rejection ratio	$V_{\text{DD}}=2.1\sim 5.5\text{V}$, $V_{\text{IN}+}=1\text{V}$, $V_{\text{SENSE}}=0\text{mV}$	-	80	-	dB
CMRR	Common mode rejection ratio	$V_{\text{DD}}=2.1\sim 5.5\text{V}$ -40°C~105°C	-	100	-	dB
Transient characteristics						
T _{STB}	Stable Time	-	-	-	5	us
T _{PGD}	Response delay Time	$V_{\text{COM}}=1\text{V}$, $V_{\text{IN}+}=V_{\text{IN}-}\pm 0.1\text{V}$	-	50	100	ns

Note: Design assurance.

6.5.4 OP Electrical Characteristics

 $T_A=25^{\circ}\text{C}$, $V_{\text{SENSE}}=V_{\text{IN}+}-V_{\text{IN}-}$, $V_{\text{DD}}=5\text{V}$, $V_{\text{IN}+}=1\text{V}$

Symbol	Parameter	Conditions	Min.	Typ.	Max.	Unit
VDD	Supply voltage	-	2.5	-	5.5	V
I _Q	Quiescent Current	V _{SENSE} =0mV	-	1.0	1.6	mA
I _{SD}	Shutdown current	-	-	5	-	nA
T _A	Operating temperature	-	-40	25	105	°C
Input characteristics						
V _{OS}	Input Off set Voltage	NO calibration (OPnCON1[4:0]=10H)	-	±3.5	-	mV
		After calibration	-	±0.5	±1.0	
V _{CM}	Common-mode Input Range	-40°C~105°C	0	-	VDD-1.3	V
I _B	Input Bias Current	V _{SENSE} =0mV	-	10	-	pA
I _{OS}	Input offset Current	V _{SENSE} =0mV	-	10	-	pA
Output characteristics						
C _{LOAD}	Capacitive load	-	-	30	-	pF
V _{OH}	Maximum output voltage	-40°C~105°C, I _{LOAD} =0.1mA	-	-	VDD-0.1	V
		-40°C~105°C, I _{LOAD} =1mA	-	-	VDD-0.3	V
V _{OL}	Minimum output voltage	-40°C~105°C, I _{LOAD} =0.1mA	0.1	-	-	V
		-40°C~105°C, I _{LOAD} =1mA	0.3	-	-	V
Frequency characteristics						
A _{OL}	Open-loop voltage gain	-	-	80	-	dB
BW	Bandwidth	R _{LOAD} =2K, C _{LOAD} =100pF	-	5	-	MHz
PSRR	Power supply rejection ratio	VDD=2.5~5.5V, V _{IN+} =1V, V _{SENSE} =0mV	-	75	-	dB
CMRR	Common mode rejection ratio	V _{IN+} =0.3~(VDD-1.5) -40°C~105°C	-	90	-	dB
Transient characteristics						
SR	Slew Rate	R _{LOAD} =2K, C _{LOAD} =100pF	-	±8	-	V/us
T _{STB}	Stable Time	-	-	-	2	us

Note: Design assurance.

6.5.5 LCD Driver Electrical Characteristics

TA=25°C, VDD=2.5V-5.5V

Symbol	Parameter	Conditions		Min.	Typ.	Max.	Unit
V _{LCD}	LCD voltage	LCDEN=1, LCDTEN=0		TYP*0.95	VDD	TYP*1.05	V
		LCDEN=1, LCDTEN=1 V _{LCD} =VDD*(15+LCDTVS<3:0>)/30 (LCDTVS<3:0>=0000~1110)		TYP*0.95	V _{LCD}	TYP*1.05	V
V _{BIAS}	LCD bias voltage, DC, no load	1/2 Bias	V _{LC1}	-	(1/2)*V _{LCD}	-	V
		1/3 Bias	V _{LC1}	-	(2/3)*V _{LCD}	-	
			V _{LC2}	-	(1/3)*V _{LCD}	-	
		1/4 Bias	V _{LC1}	-	(3/4)*V _{LCD}	-	
			V _{LC2}	-	(2/4)*V _{LCD}	-	
			V _{LC3}	-	(1/4)*V _{LCD}	-	
I _{LCD}	LCD current	LCDTEN=0	R _{LCD1} =60KΩ	-	80	100	uA
			R _{LCD2} =225KΩ	-	22	27	
			R _{LCD3} =900KΩ	-	5	7	
		LCDTEN=1	LVDTVS<3:0>=1110, R _{LCD1} =60KΩ (Max)	-	185	300	
			LVDTVS<3:0>=0000, R _{LCD3} =225KΩ	-	120	200	
			LVDTVS<3:0>=0000, R _{LCD3} =900KΩ (Min)	-	100	180	
R _{LCD1}	Select resistance 1	LCDRM<1:0>=00		40	60	80	KΩ
R _{LCD2}	Select resistance 2	LCDRM<1:0>=01		160	225	290	
R _{LCD3}	Select resistance 3	LCDRM<1:0>=1x		600	900	1200	

6.6 EMC Characteristics

6.6.1 EFT Electrical Characteristics

Symbol	Parameter	Conditions	Rank
V _{EFTB}	Fast transient voltage burst limits to be applied through 0.1uF(capacitance) on VDD and VSS pins to induce a functional disturbance	T _A = + 25°C, F _{sys} =48MHz, conforms to IEC 61000-4-4	4B

Note: The electrical fast transient burst (EFT) immunity performance is closely related to system design (including power supply structure, circuit design, layout and wiring, chip configuration, program structure, etc.) The EFT parameters in the above table are the results measured on the internal test platform of the CMS, and are not applicable to all application environments. The test data is only for reference. All aspects of system design may affect the EFT performance. In applications with high EFT performance requirements, attention should be paid to avoid interference sources affecting the system operation as much as possible. It is recommended to analyze the interference path and optimize the design to achieve the best anti-interference performance.

6.6.2 ESD Electrical Characteristics

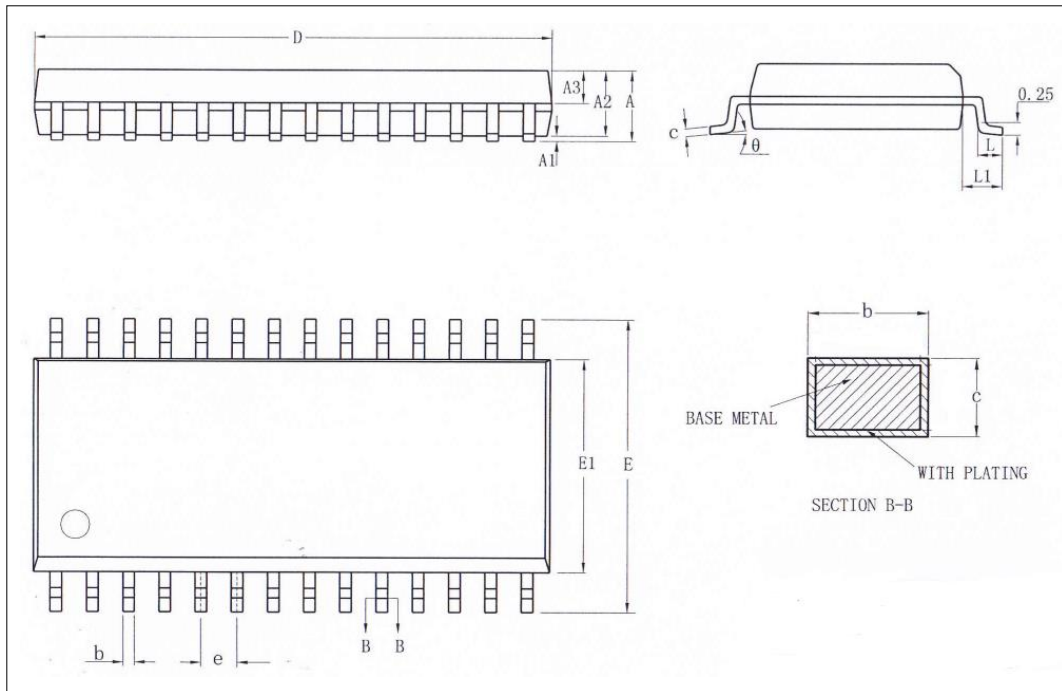
Symbol	Parameter	Conditions	Rank
V _{ESD}	Electrostatic discharge (Human body discharge mode - HBM)	T _A = + 25°C, JEDEC EIA/JESD22- A114	3B
	Electrostatic discharge (Machine discharge mode - MM)	T _A = + 25°C, JEDEC EIA/JESD22- A115	C

6.6.3 Latch-Up Electrical Characteristics

Symbol	Parameter	Conditions	Class
LU	Static latch-up class	JEDEC STANDARD NO.78D NOVEMBER 2011	Class I (T _A = +25°C)

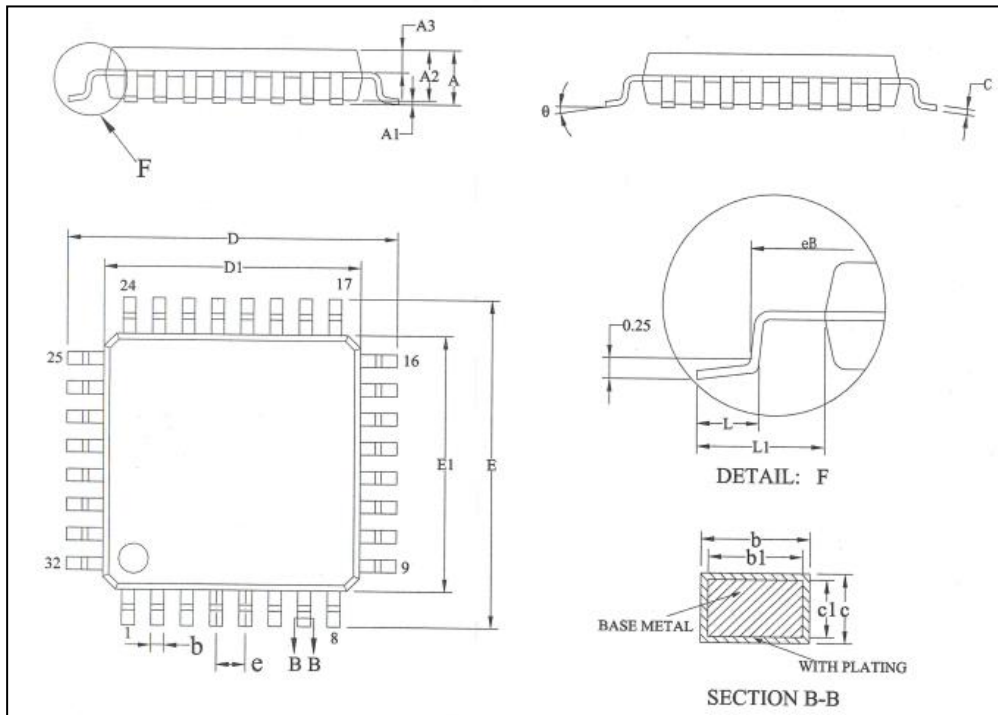
7. Package Information

7.1 SOP28



Symbol	Millimeter		
	Min	Nom	Max
A	-	-	2.65
A1	0.10	-	0.30
A2	2.24	-	2.44
A3	0.97	1.02	1.07
b	0.39	-	0.47
c	0.25	-	0.30
D	17.90	18.00	18.10
E	10.10	10.30	10.50
E1	7.40	7.50	7.60
e	1.27BSC		
L	0.70	-	1.01
L1	1.40REF		
θ	0	-	8°

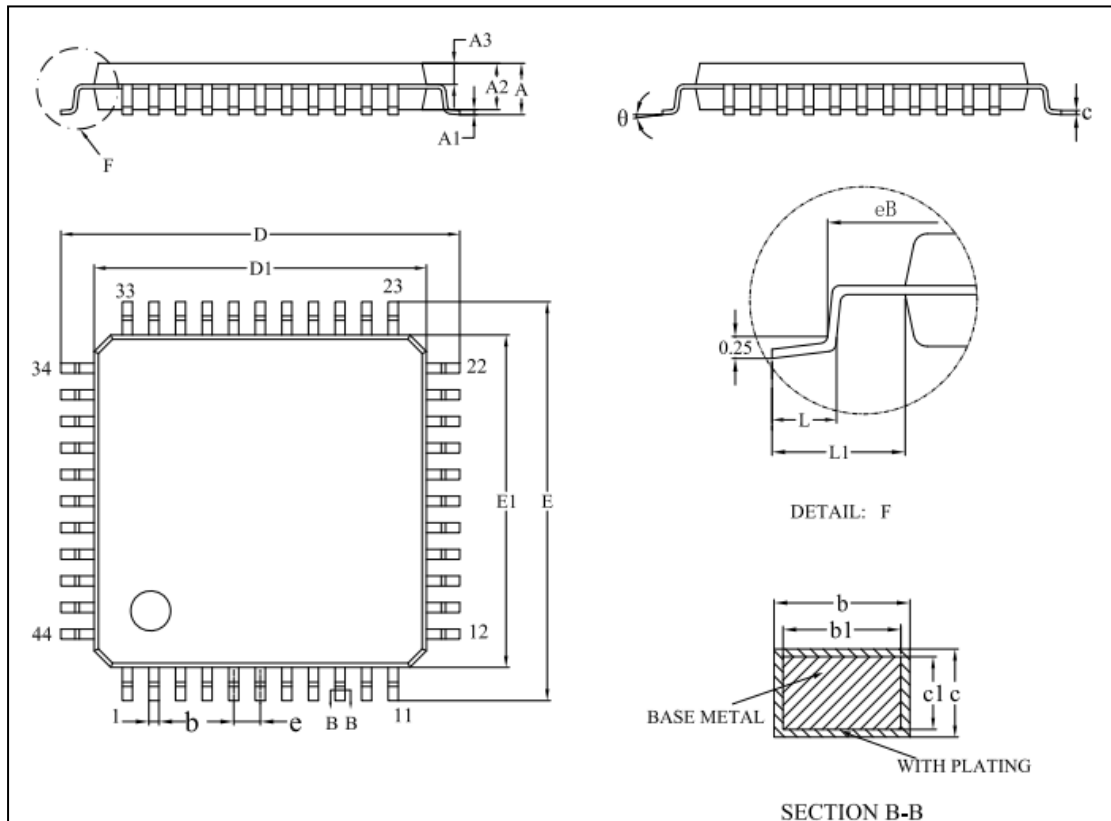
Caution: Package dimensions do not include mold flash or gate burrs.

7.2 LQFP32


Symbol	Millimeter		
	Min	Nom	Max
A	-	-	1.60
A1	0.05	-	0.15
A2	1.35	1.40	1.45
A3	0.59	0.64	0.69
b	0.32	-	0.43
b1	0.31	0.35	0.39
c	0.13	-	0.18
c1	0.12	0.13	0.14
D	8.80	9.00	9.20
D1	6.90	7.00	7.10
E	8.80	9.00	9.20
E1	6.90	7.00	7.10
eB	8.10	-	8.25
e	0.80BSC		
L	0.45	-	0.75
L1	1.00REF		
θ	0	-	7°

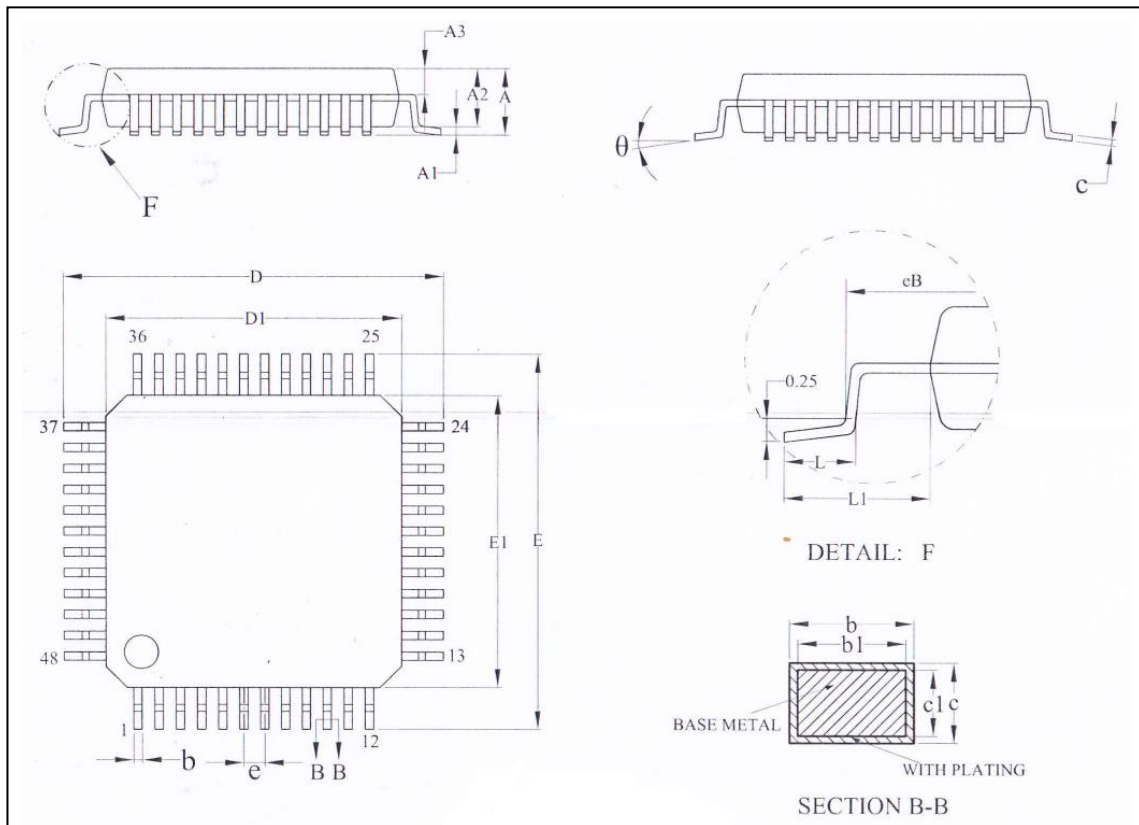
Caution: Package dimensions do not include mold flash or gate burrs.

7.3 LQFP44 (10*10*1.4)



Symbol	Millimeter		
	Min	Nom	Max
A	-	-	1.60
A1	0.05	-	0.15
A2	1.35	1.40	1.45
A3	0.59	0.64	0.69
b	0.28	-	0.36
b1	0.27	0.30	0.33
c	0.13	-	0.18
c1	0.12	0.13	0.14
D	11.80	12.00	12.20
D1	9.90	10.00	10.10
E	11.80	12.00	12.20
E1	9.90	10.00	10.10
eB	11.05	-	11.25
e	0.80BSC		
L	0.45	-	0.75
L1	1.00REF		
θ	0	-	7°

Caution: Package dimensions do not include mold flash or gate burrs.

7.4 LQFP48 (7*7)


Symbol	Millimeter		
	Min	Nom	Max
A	-	-	1.60
A1	0.05	-	0.15
A2	1.30	1.40	1.50
A3	0.59	0.64	0.69
b	0.18	-	0.26
b1	0.17	0.20	0.23
c	0.13	-	0.18
c1	0.12	0.13	0.14
D	8.80	9.00	9.20
D1	6.90	7.00	7.10
E	8.80	9.00	9.20
E1	6.90	7.00	7.10
eB	8.10	-	8.25
e	0.50BSC		
L	0.43	-	0.75
L1	1.00REF		
θ	0	-	8°

Caution: Package dimensions do not include mold flash or gate burrs.

8. Revision History

Revision	Date	Modify content
V1.00	Jun 2019	Initial verison
V1.01	Apr 2020	Increase the electrical parameters of the LCD drive module and modify the description of some electrical parameters
V1.02	Sep 2020	Add CMS80F2618 chip and related information
V1.03	Oct 2020	Specific modifications of CMS80F2619
V1.04	Feb 2021	Unified debugging port
V1.05	Nov 2021	Correct FLASH electrical parameters
V1.06	Feb 2023	<ol style="list-style-type: none"> 1) Correction and unified text expression 2) 6.1 Absolute maximum rating: add limit parameter notes 3) Modify 6.2 DC electrical characteristics 4) 6.3.1 Power-on and power-off operation: adjust parameters 5) 6.3.3 Internal oscillator: adjust parameters 6) 6.4 FLASH electrical parameters: optimize the description of writing and reading time 7) 6.5.1 BANDGAP electrical characteristics: detailed parameters 8) 6.5.2 ADC electrical characteristics: ADC clock cycle is described according to different reference voltages 9) 6.5.3 ACMP electrical characteristics: optimize parameters, add notes
V1.0.7	Jun 2023	<ol style="list-style-type: none"> 1) Correct 7.2 and 7.3 packaging dimensions 2) Update 6.6EMC Characteristics 3) Add CMS80F26182chip and related information 4) Modify the debugging pin remarks in sections 3.2 and 3.4.
V1.0.8	Aug 2024	<ol style="list-style-type: none"> 1) Modified SOP28/LQFP32/LQFP44/LQFP48 package dimensions 2) Revised the cover page
V1.0.9	Nov 2024	Added Remarks in section 6.5.2